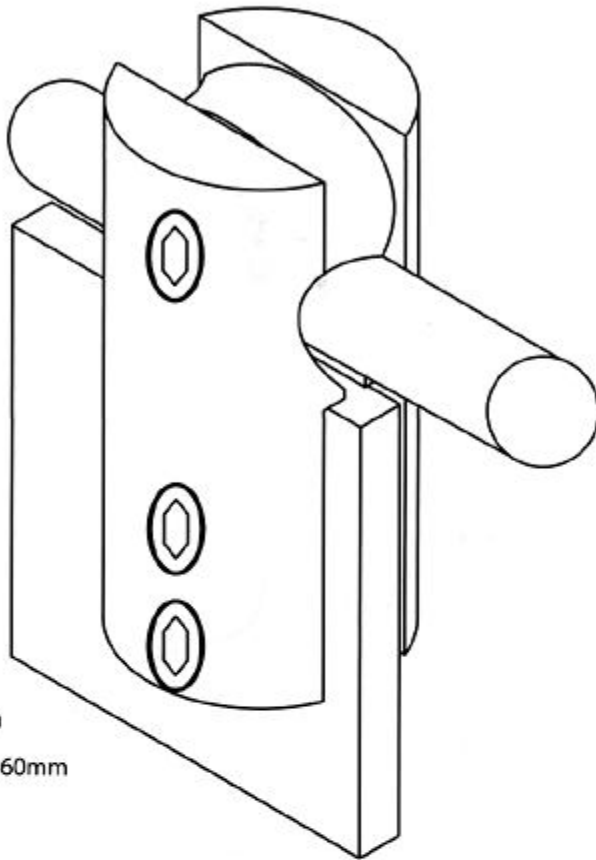
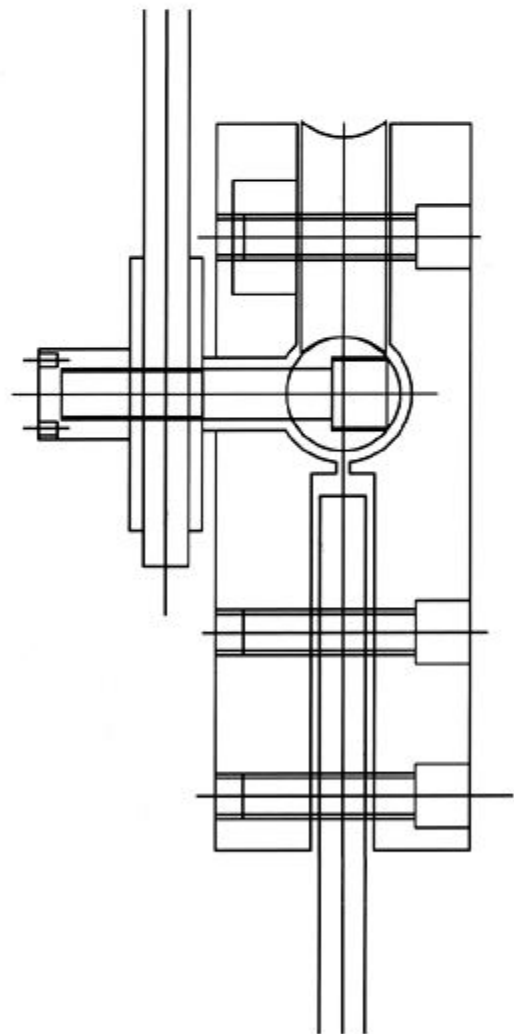
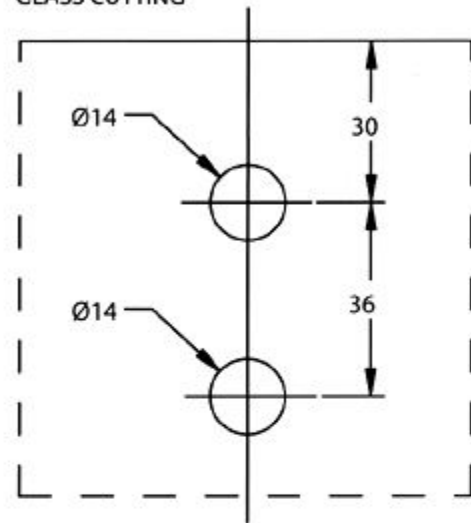


**CR01**



Ø:55mm  
height:160mm

GLASS CUTTING



**C 602 PG**  
**C 612 PG**

Ø holes in the glass: 16mm

Ø hole in the glass for the cylinder: 35mm

height of the handle = height of the door

