



DOOR CLOSERS SERIES 2000

HIGH PERFORMANCES FOR
SUPERIOR DOOR CONTROLS

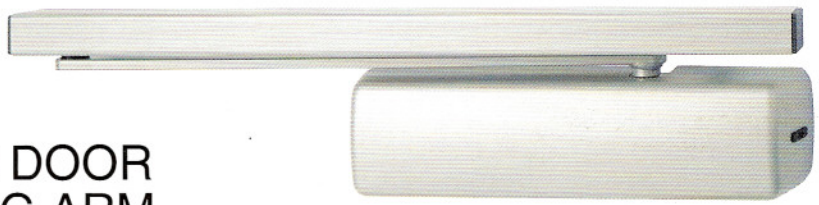


SMOOTH OPENING, STRONG CLOSING

MAB, ANOTHER WORD FOR DOOR CLOSERS

2250

ADJUSTABLE POWER DOOR CLOSER WITH SLIDING ARM



With series 2000, MAB adds new closing solutions to the existing wide range. Art. 2250 with sliding arm is the state of the art of door controls.

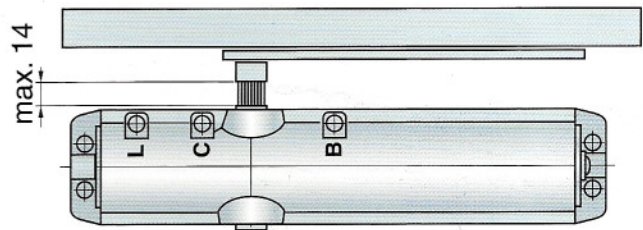
Design, smooth opening & strong closing, abuse resistance are the main innovative characteristics.

FEATURES

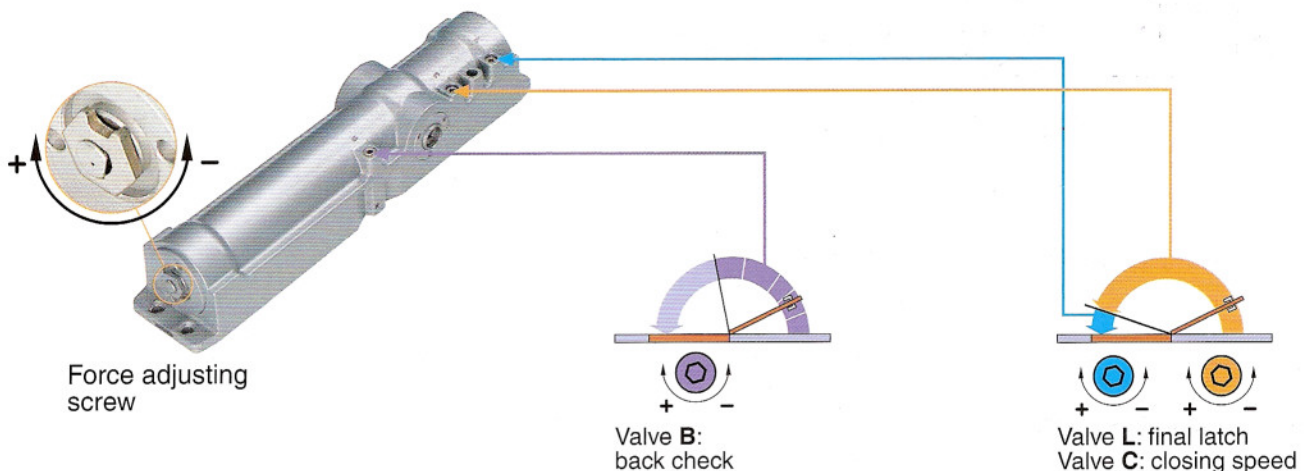
- Adjustable power 1 - 6 EN1154
- Vertical adjustability of arm
- Two speed valves
- Adjustable hydraulic Back Check
- Two overpressure relief valves
- Insensitive to temperature changes between -25° and $+45^{\circ}$ C
- High efficiency
- Regular or reversed mounting on pull or push side of door
- Full body covers in: ABS, polished brass, satin s/steel
- Finishes for ABS covers : silver, gold, black, bronze, white
- Suitable for interior or exterior doors
- Suitable for doors up to 1250 x 2500 mm

ADJUSTMENTS

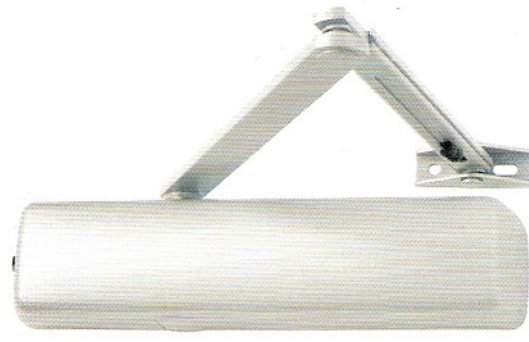
Vertical adjustment of sliding arm:
the height of the arm can be adjusted up to 14 mm by moving upwards the grooved pinion.



Adjustment of closing power, of closing speeds, of Back Check



2240 HEAVY DUTY DOOR CLOSER WITH ADJUSTABLE POWER



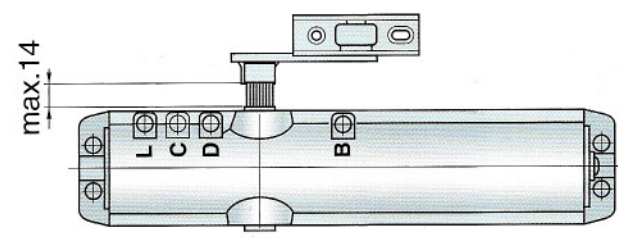
With series 2000, MAB adds new closing solutions to the existing wide range. Art. 2240 with regular arm satisfies the most demanding needs for a total quality closer. Tested to 2 million cycles according to American Standards ANSI156.4. Design, smooth opening & strong closing, abuse resistance are the main innovative characteristics.

FEATURES

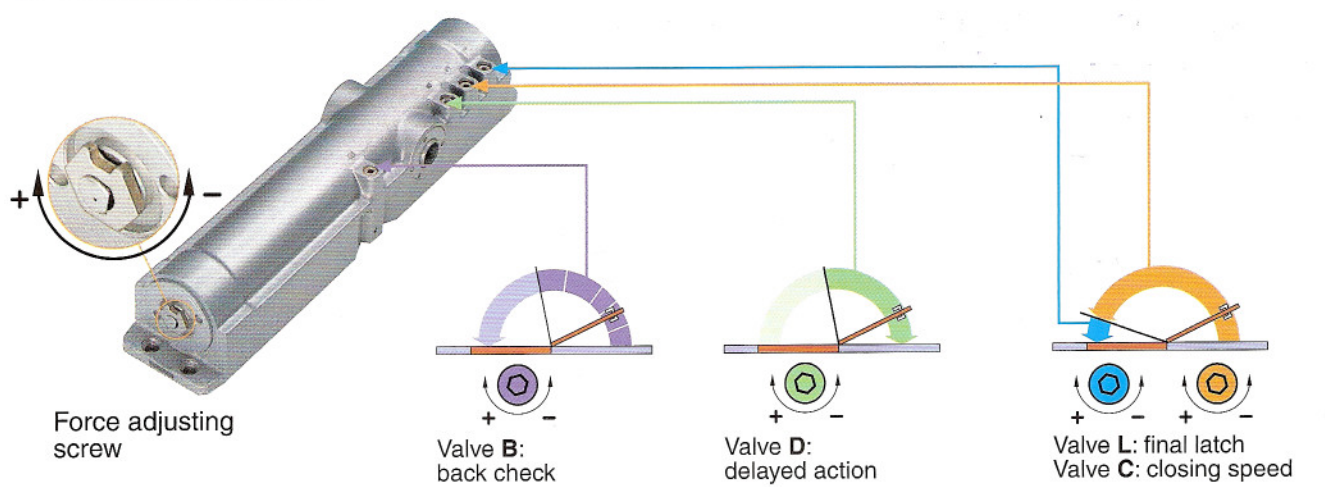
- Adjustable power 1- 6 EN1154
- Vertical adjustability of arm
- Two speed valves
- Adjustable hydraulic Back Check
- Adjustable Delayed Action (option)
- Two overpressure relief valves
- Insensitive to temperature changes between -35° and $+50^{\circ}$ C
- High efficiency
- Suitable for fire doors
- Regular or reversed mounting.
- Full body covers in: ABS, polished brass, satin s/steel
- Finishes for ABS covers : silver, gold, black, bronze, white
- Suitable for interior or exterior doors
- Suitable for doors up to 1400 x 2500 mm

ADJUSTMENTS

Vertical adjustment of arm:
the height of the arm can be adjusted up to 14 mm by moving upwards the grooved pinion.



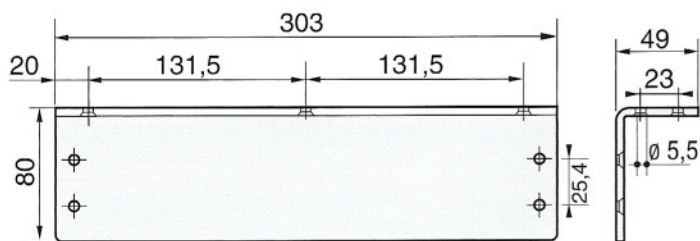
Adjustment of closing power, of closing speeds, of Back Check, of Delayed Action



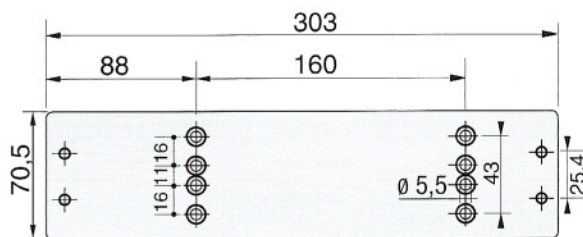
ACCESSORIES

MOUNTING PLATES

AC 328 angle bracket



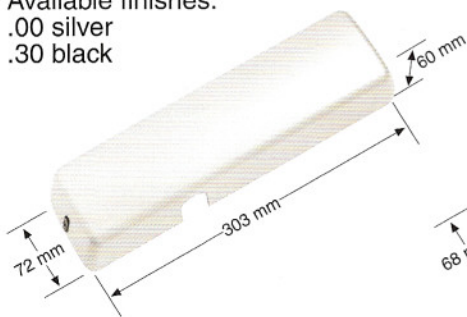
AC 329 DIN back plate



COVERS

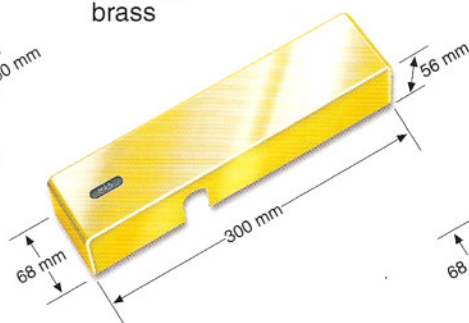
AC 330

cover in ABS
Available finishes:
.00 silver
.30 black



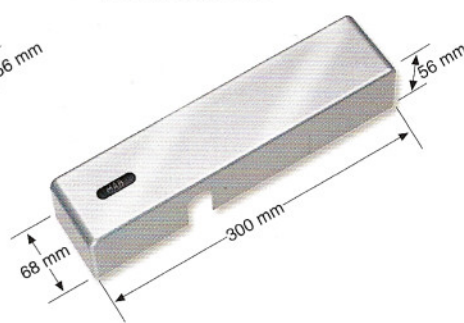
AC 331

cover in brass



AC 332

cover in s/steel



CLOSING FORCE CHARTS

EN 1154 (European Standards)

Door closer size	Closing torque Nm (0°-4°) min.	Recommended door leaf width mm max.	Door leaf mass kg.
1	9	750	20
2	13	850	40
3	18	950	60
4	26	1100	80
5	37	1250	100
6	54	1400	120
7	87	1600	160

ANSI 156.4 (American Std.)

Door closer size	Closing torque Nm (0°-4°) min.
2	10
3	17
4	27
5	37
6	47



MAB S.p.A.

Via del Tuscolano, 6
40128 BOLOGNA (ITALY)
Tel. +39.051321567
Fax. +39.051325108
E-mail: mab@mab-spa.com
www.mab-spa.com